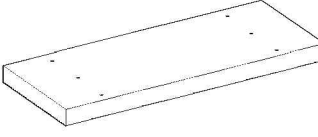
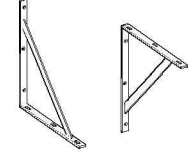



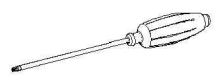
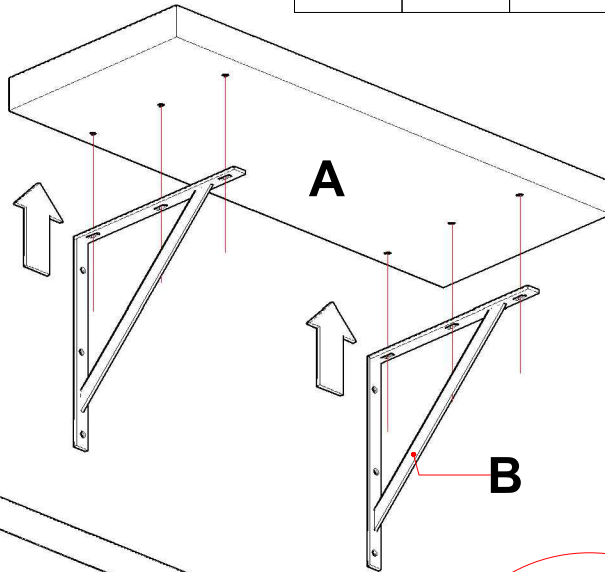
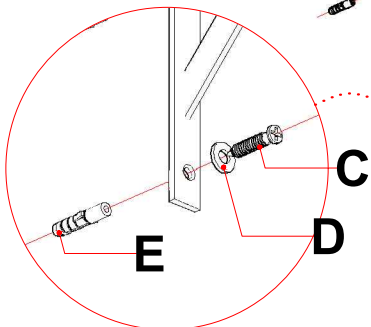
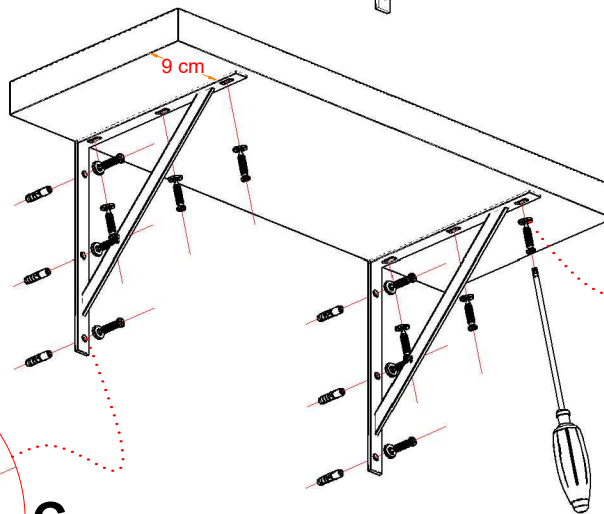


<p>A</p> 	<p>B</p> 	<p>C</p>	<p>12</p>	 SCREW 8x1"
<p>1 PCS</p>	<p>2 PCS</p>	<p>D</p>	<p>12</p>	 RING WP 5
		<p>E</p>	<p>6</p>	 FISHER
		<p>F</p>		

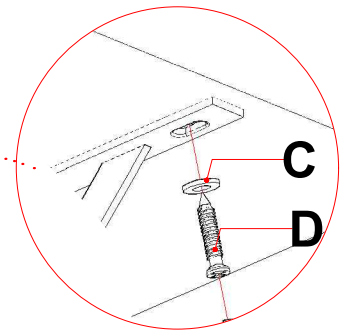
1



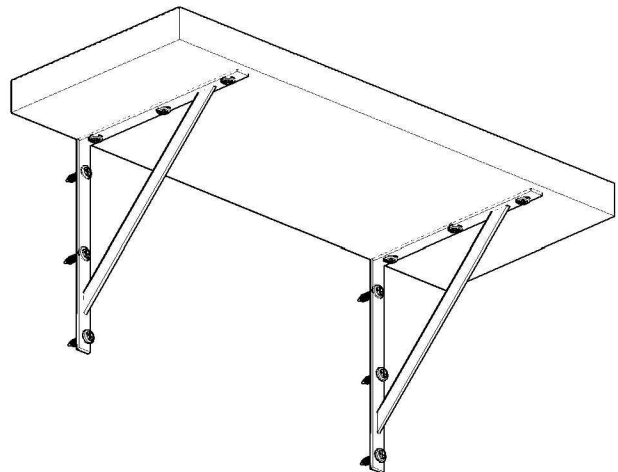
2



put fisher on the wall



3



* prepare a hummer and drill to make holes in the wall