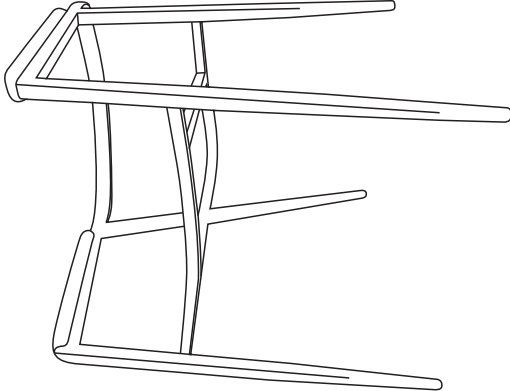
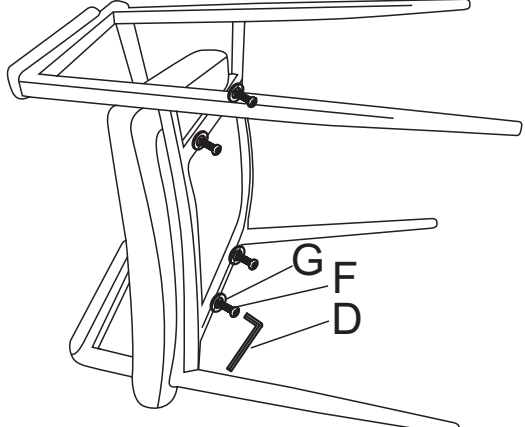
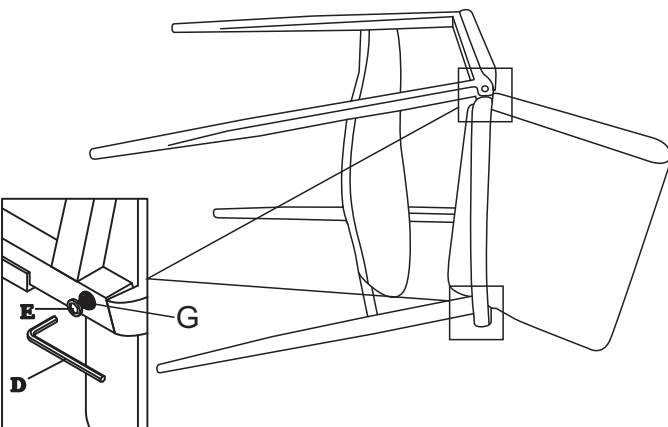


# ASSEMBLY INSTRUCTION HL-21

	<b>Ax1</b> 	<b>Bx1</b> 	<b>Cx1</b> 	<b>Dx1</b> 	<b>Ex2</b> 	<b>Fx6</b> 	<b>Gx6</b> 	
				<b>5#</b>	<b>6*40</b>	<b>6*40</b>	<b>M6*18</b>	

Please pay attention when handling the frame for assembling on both sides that will not get scratches!!!

<p><b>STEP 1</b></p> <p>Place the frame on the side.</p> 	<p><b>STEP 2</b></p> <p>Place the seat on the position follow the front arrow and fix the screws</p> 
<p><b>STEP 3</b></p> <p>Place the backrest on position and fix the screws on one side, than turn the chair on the other side and fix the screws</p> 	<p><b>STEP 4</b> Make sure all the screws are tight before using the chair.</p> 