


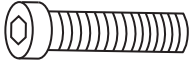
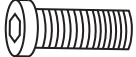

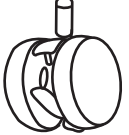
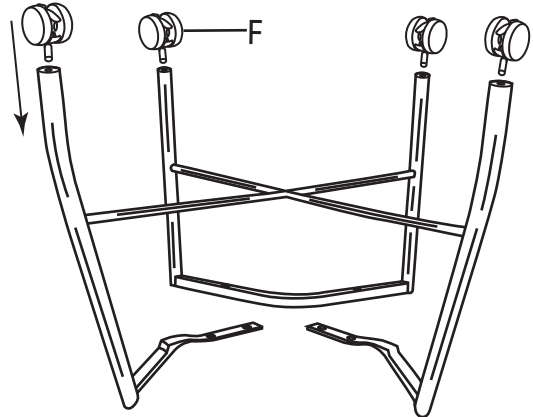
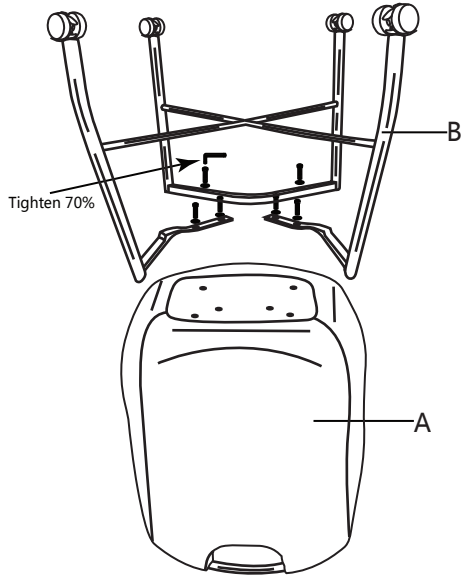
	<p>A×1</p> 	<p>B×1</p> 	<p>C×6</p> 
<p>D×2</p>  <p>6×40mm</p>	<p>E×4</p>  <p>6×25mm</p>	<p>F×1</p> 	<p>G×4</p> 

STEP1
Assembly the wheels



STEP2
Tighten the screw 70%



STEP3



STEP4

