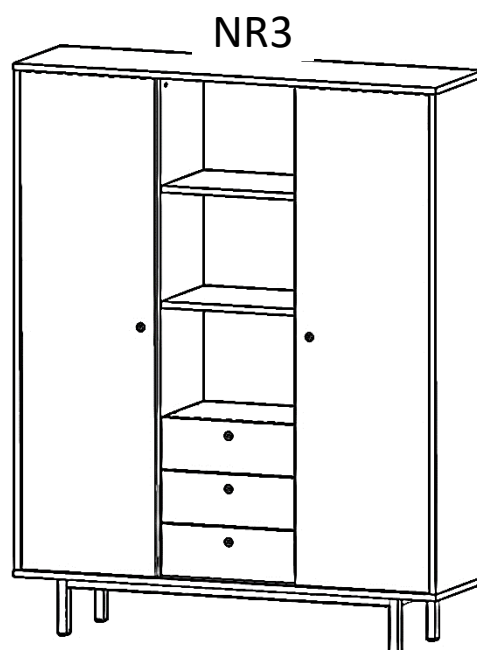
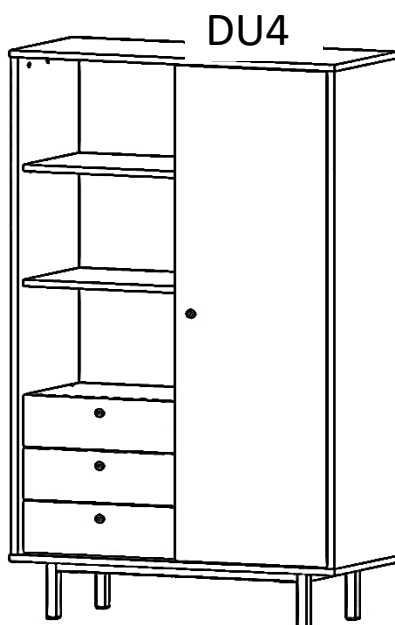
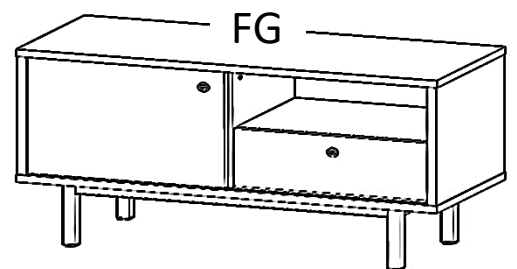
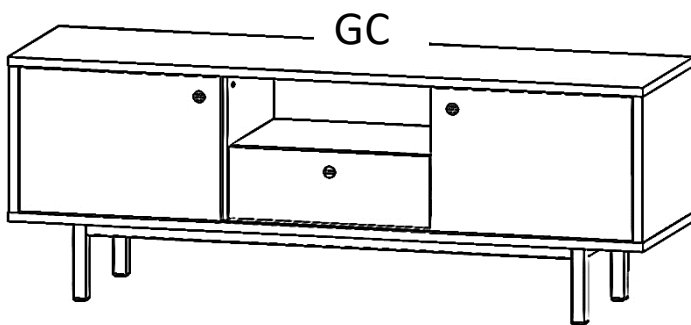
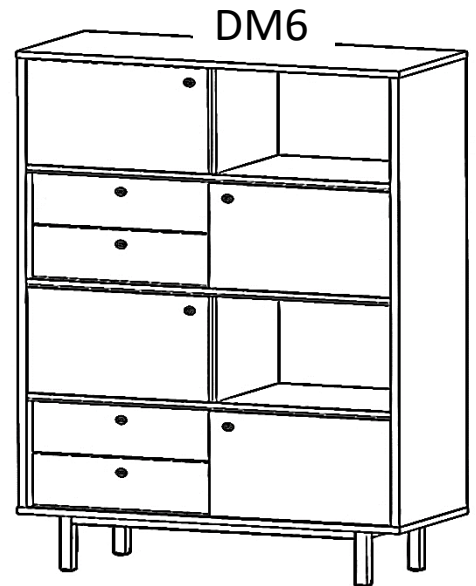
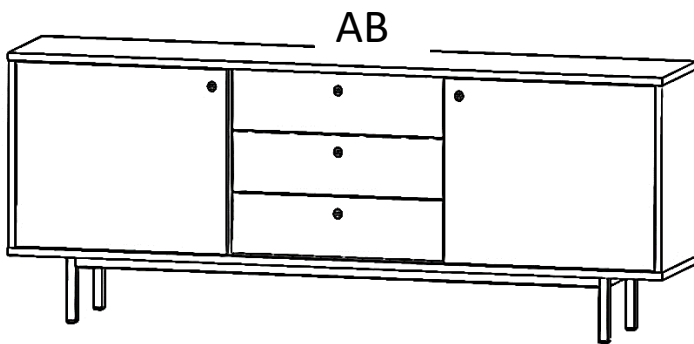
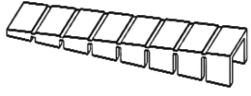
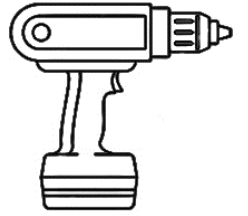
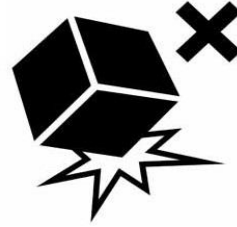
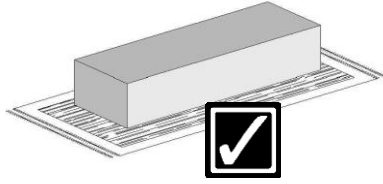
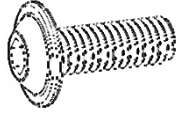


# SPAZZARE montage handleiding

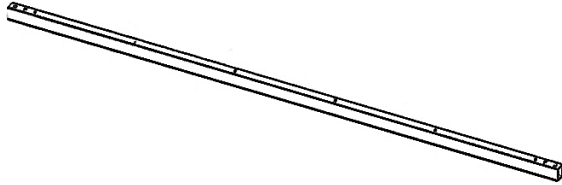




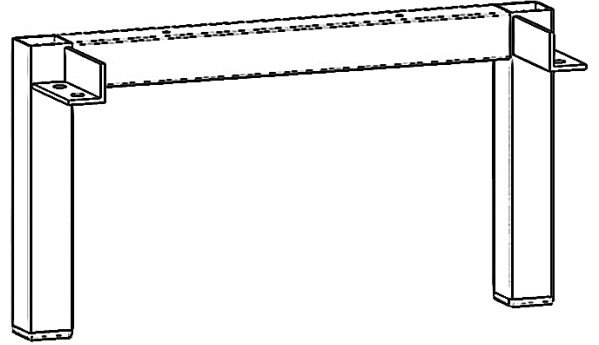
2 x



8 x M6 x 20 black



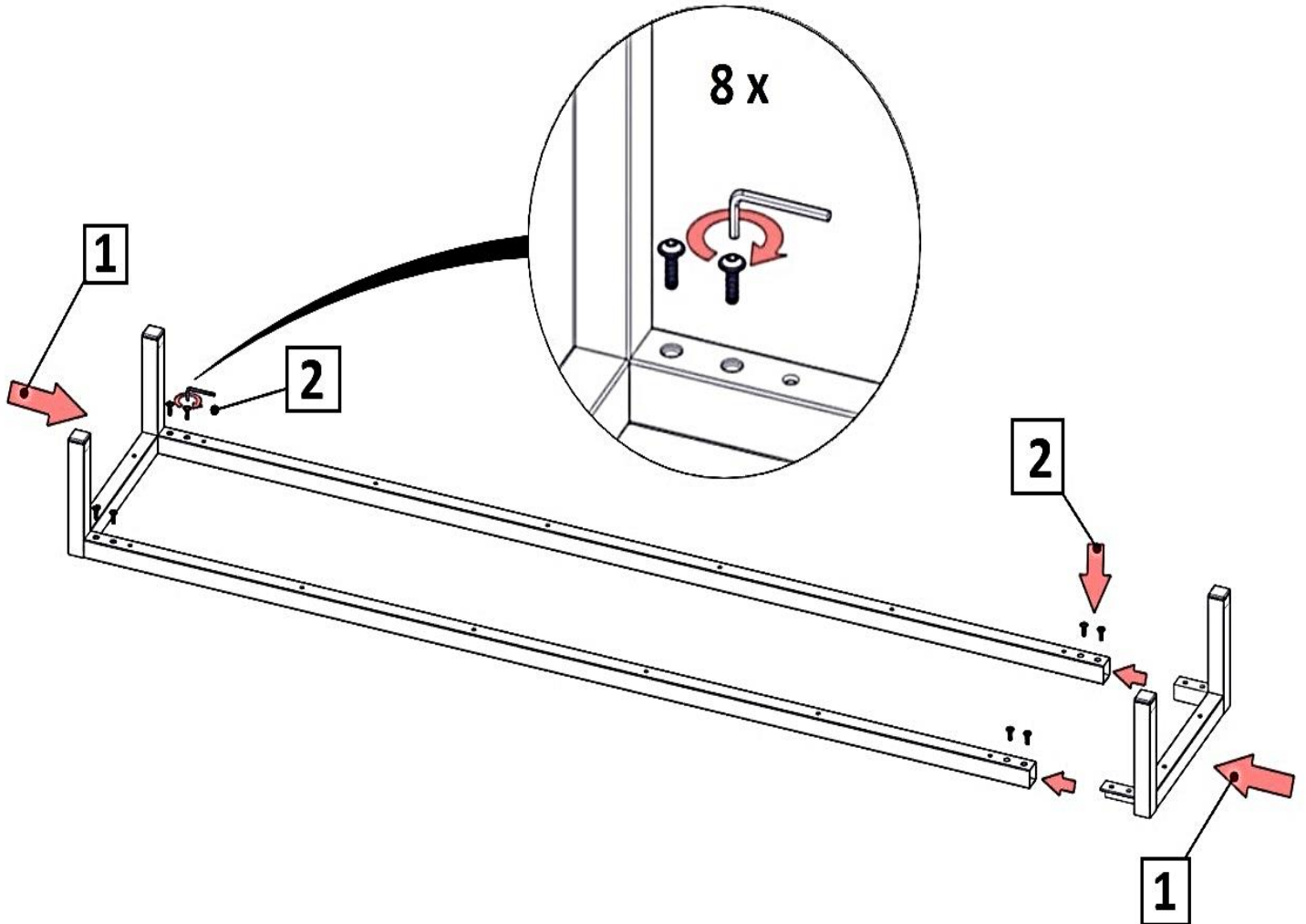
2 x Iron profile



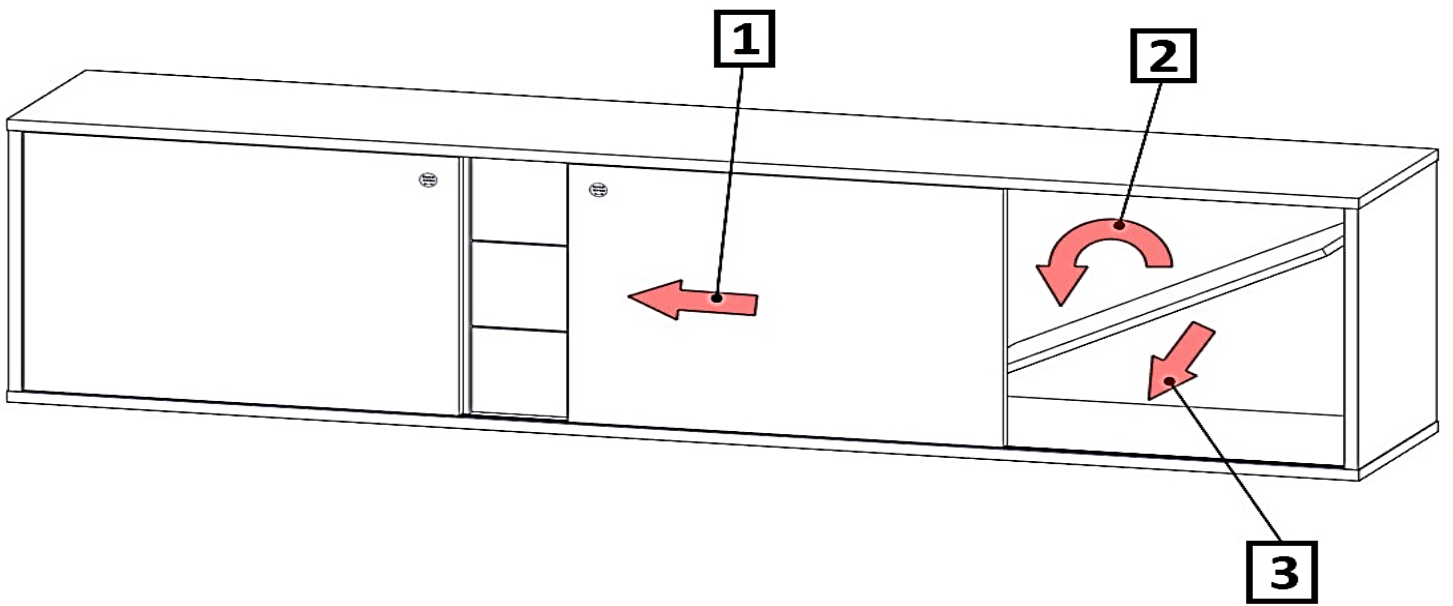
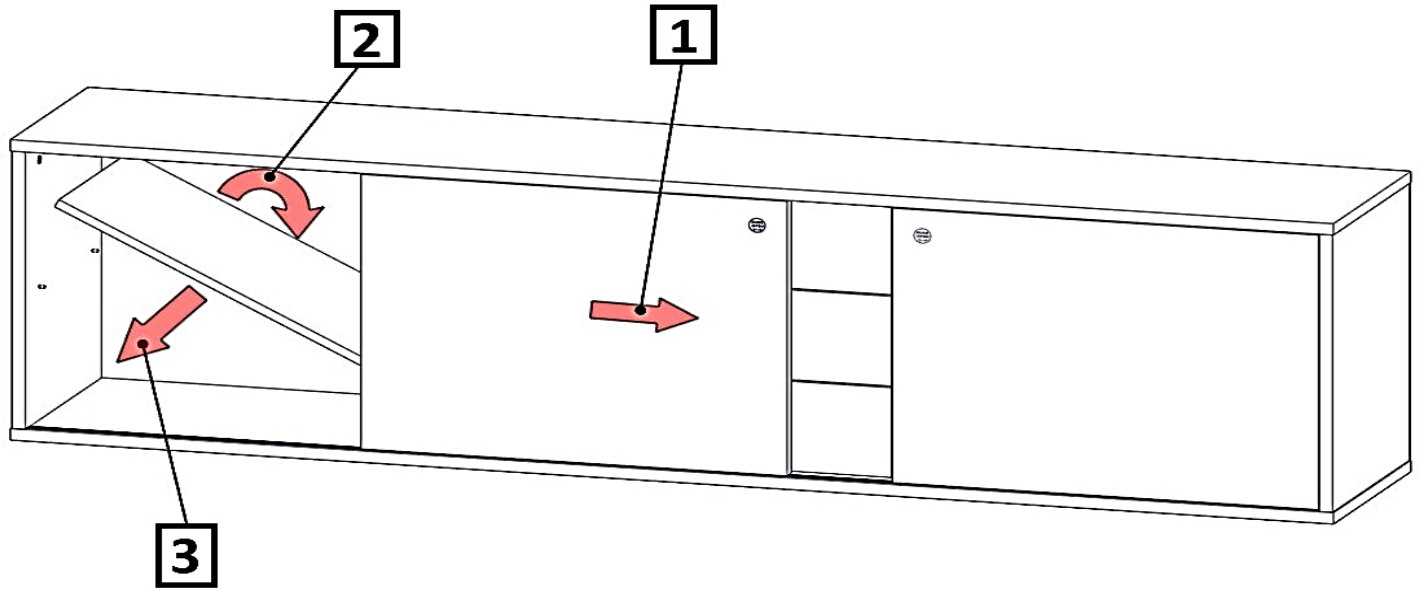
2 x Iron leg

1.

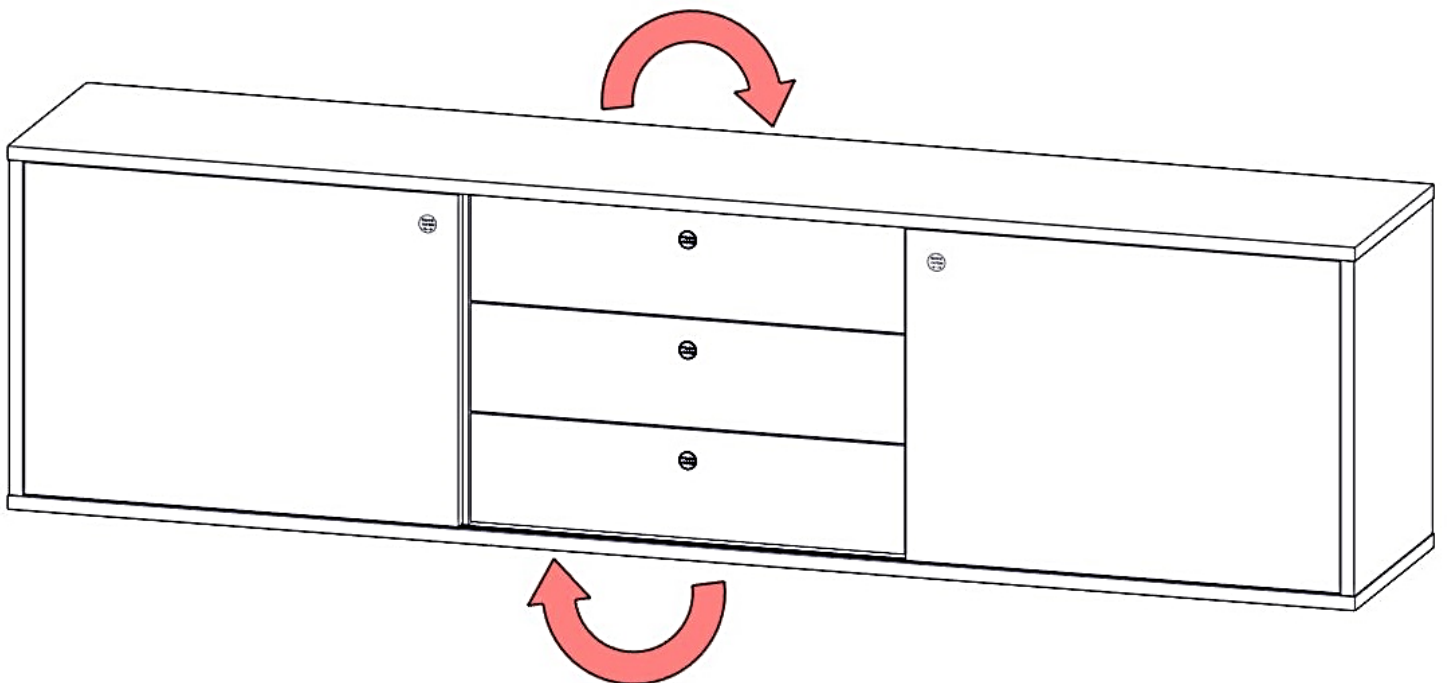
2 x Iron profile / 2 x Iron leg / 8 x M6 x 20 black



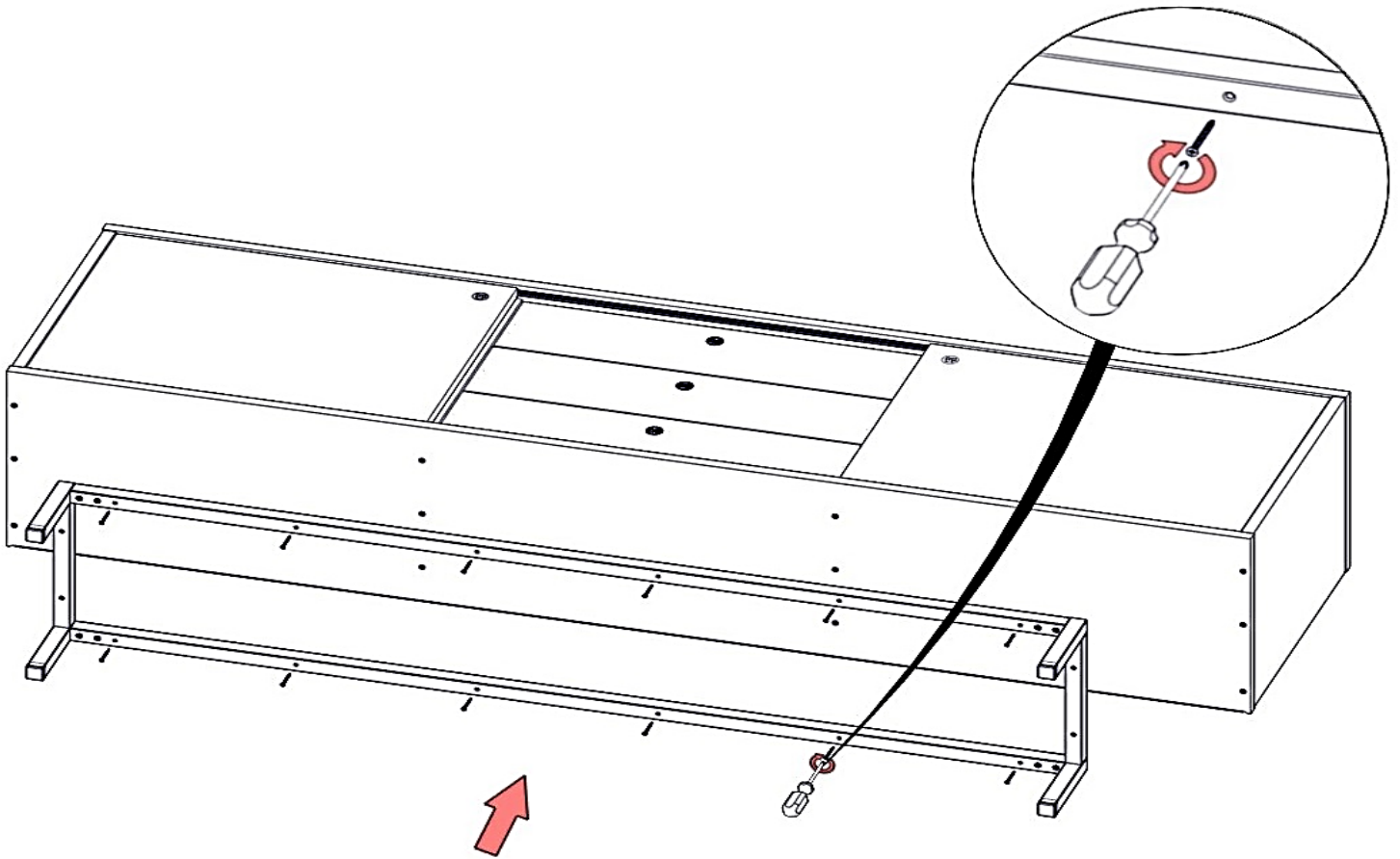
2.



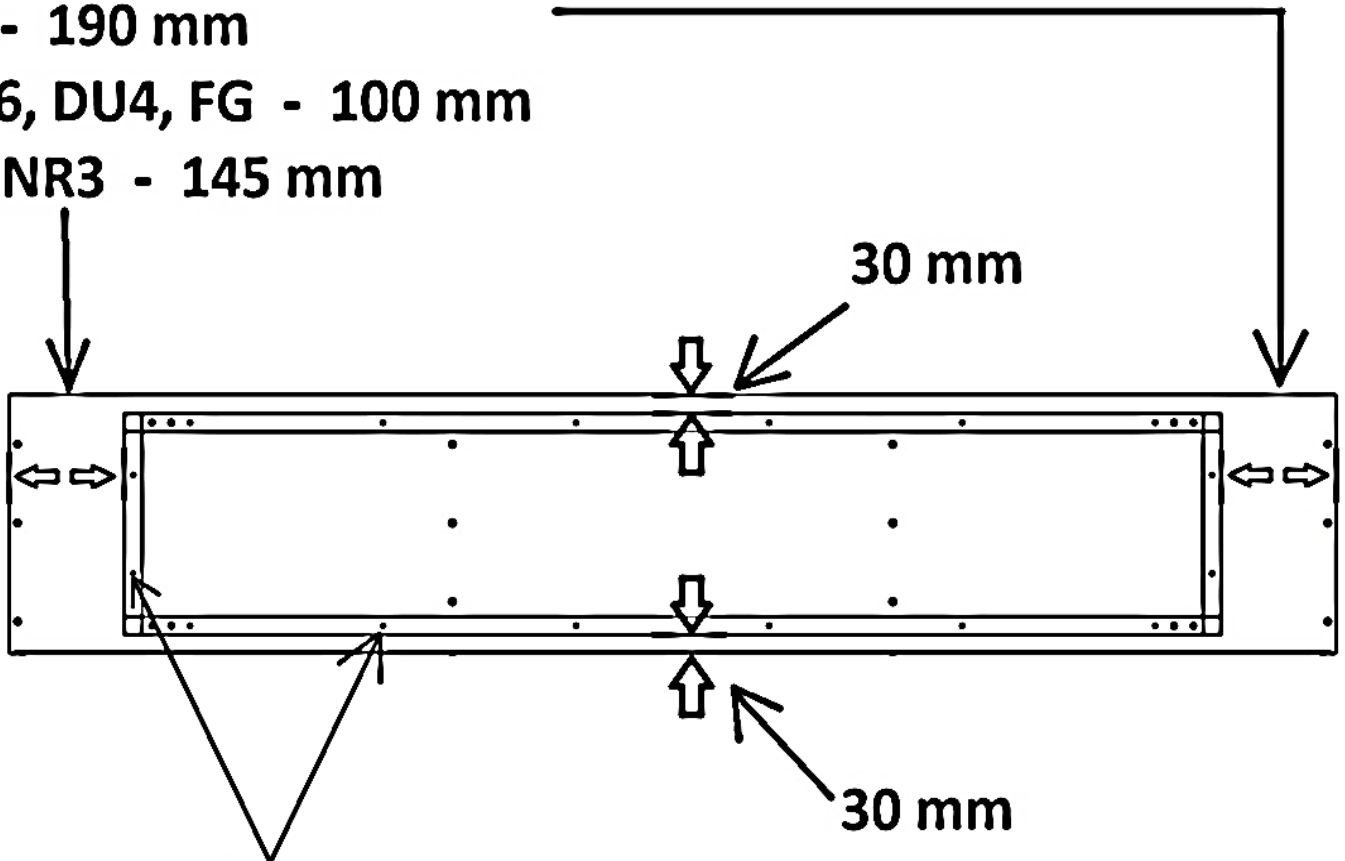
3.



4.

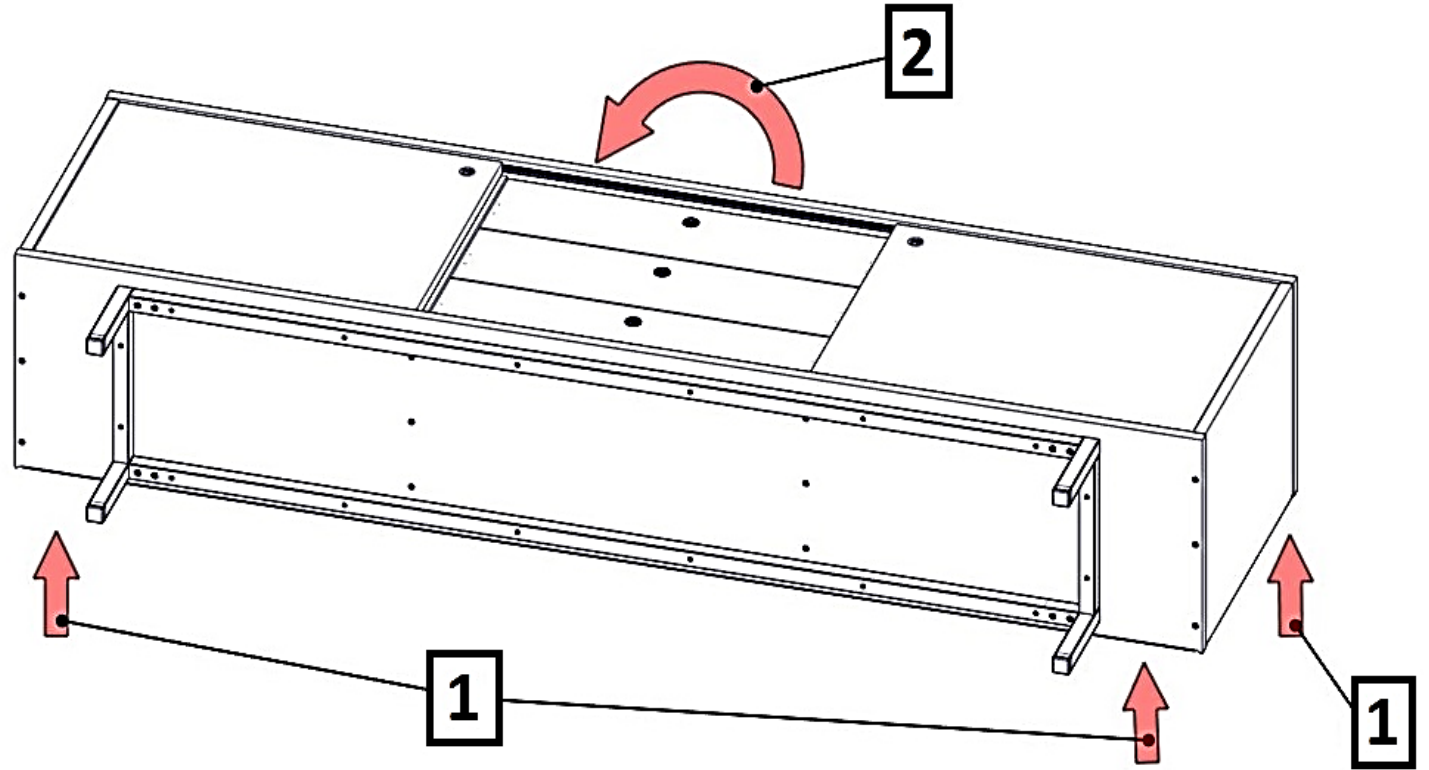
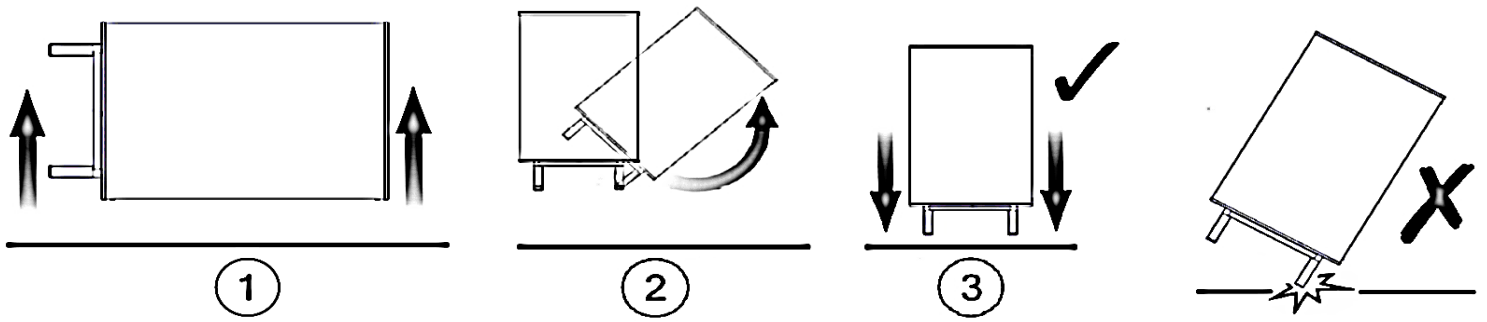


AB - 190 mm  
DM6, DU4, FG - 100 mm  
GC, NR3 - 145 mm

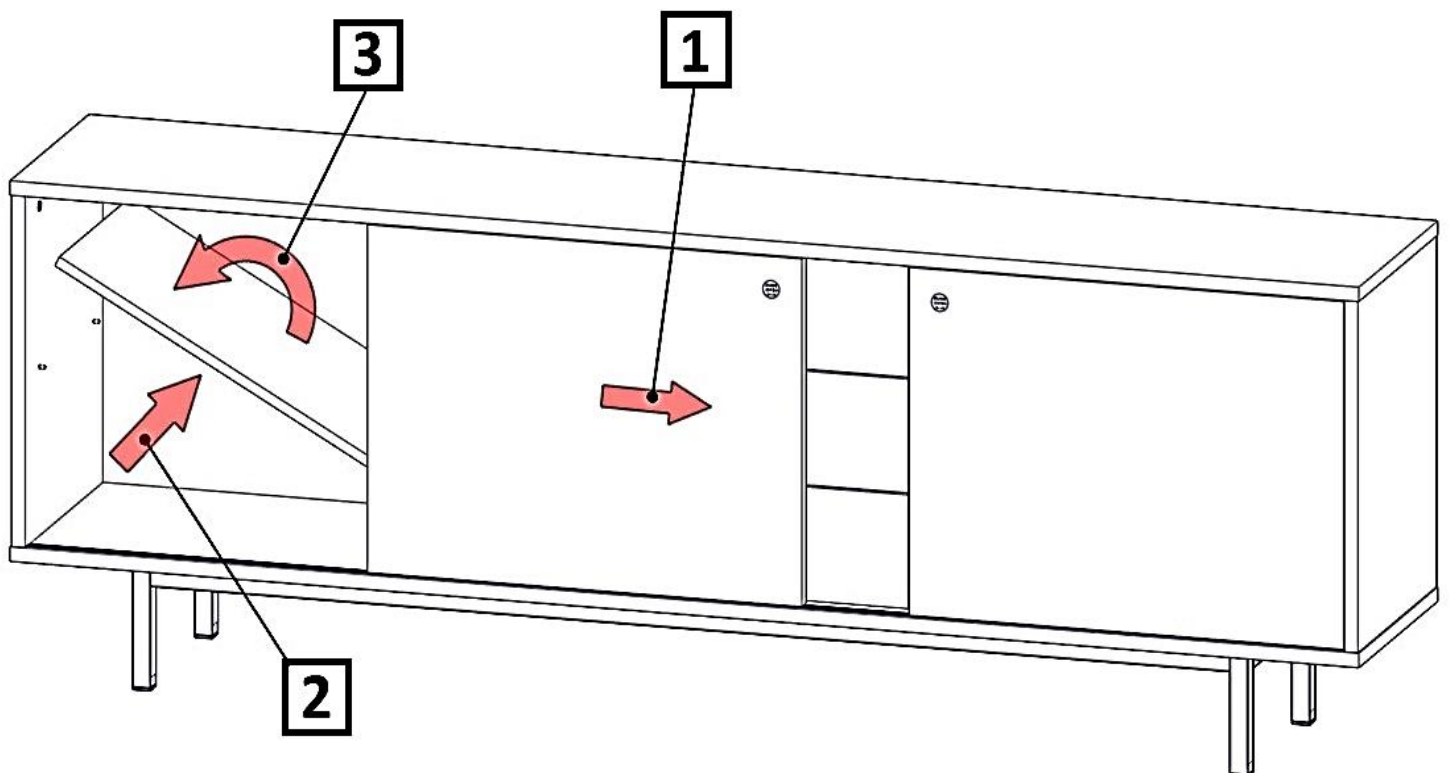


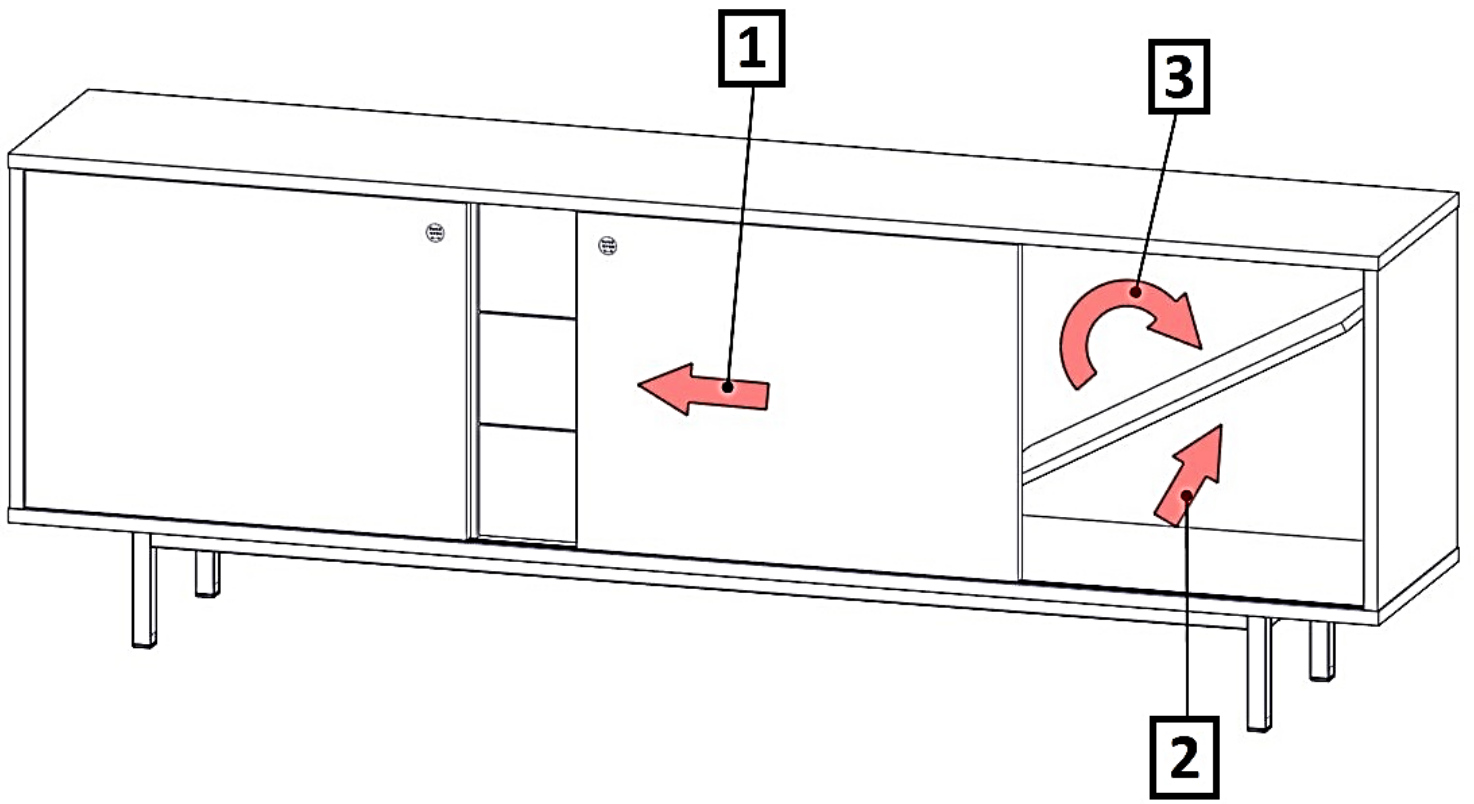
AB - 16 pcs  $\text{Ø}4 \times 45\text{mm}$   
DM6, DU4, FG - 10 pcs  $\text{Ø}4 \times 45\text{mm}$   
GC, NR3 - 12 pcs  $\text{Ø}4 \times 45\text{mm}$

5.



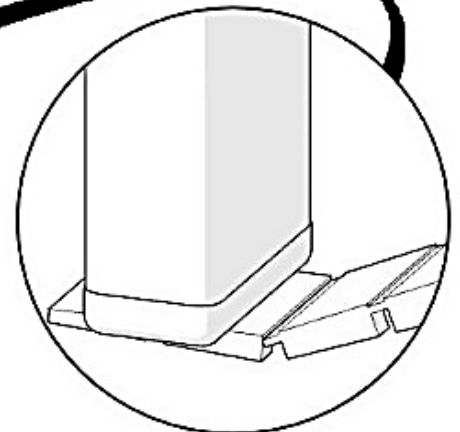
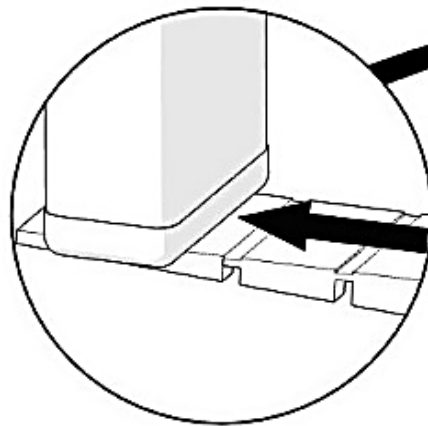
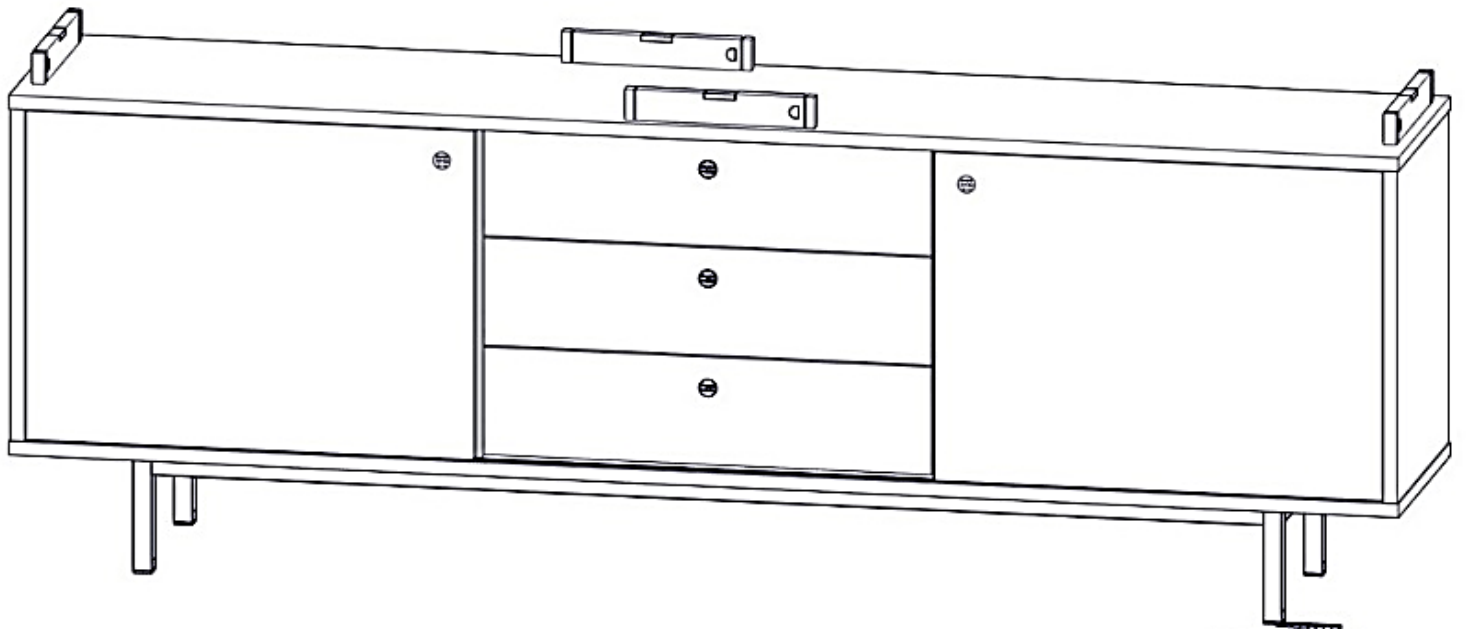
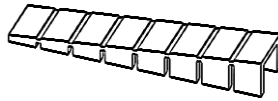
6.



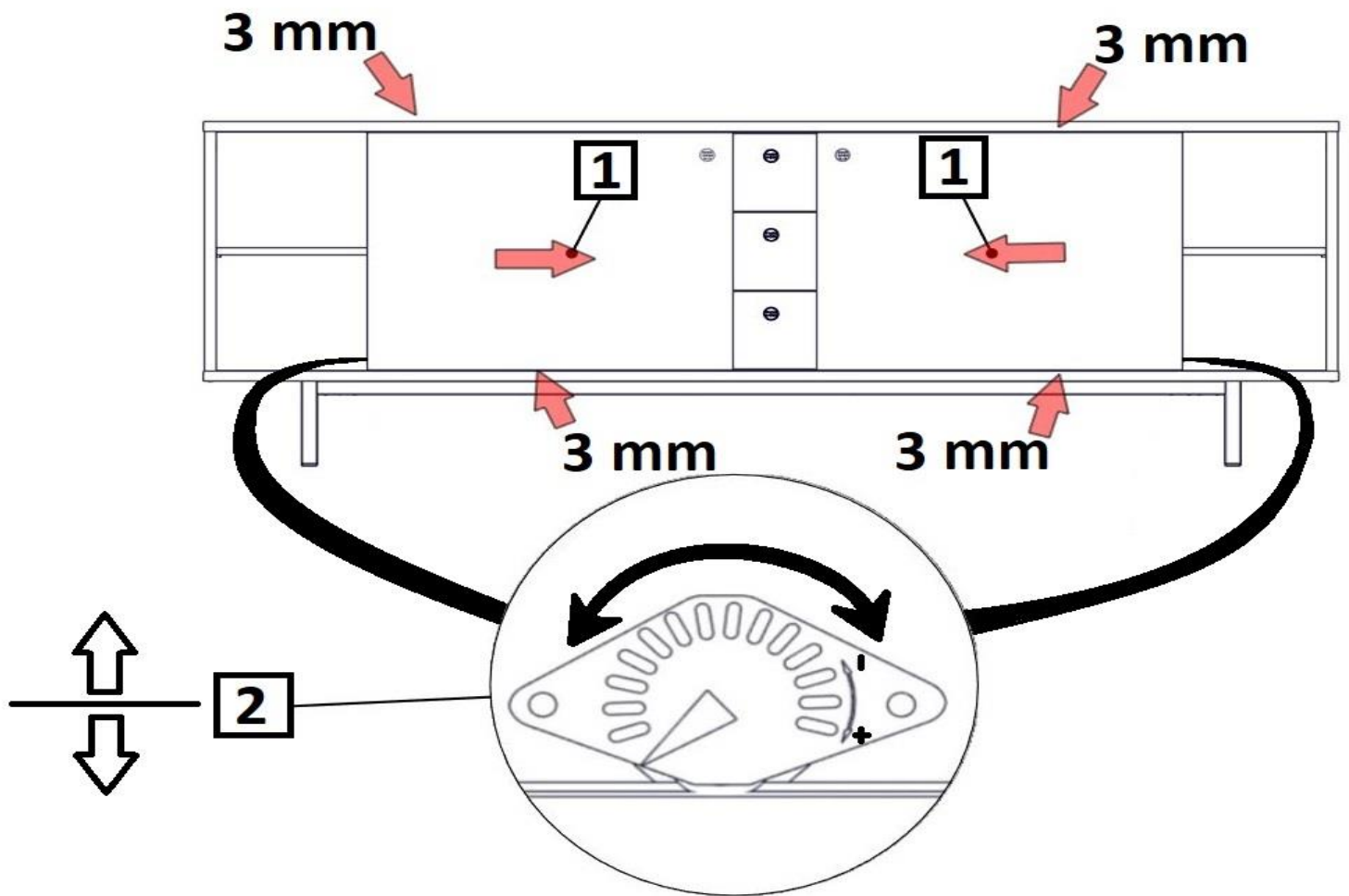


7.

2 x



8. IF NEED : MINIMAL ADJUSTMENTS



9. IF NEED : BIG ADJUSTMENTS

