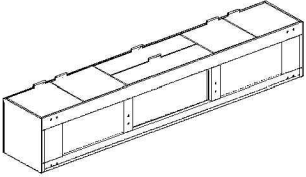
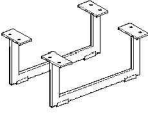




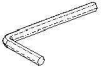
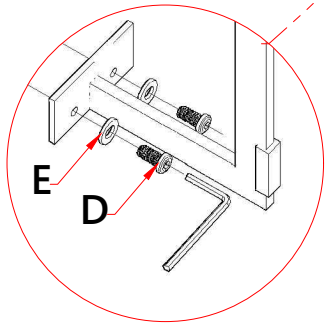
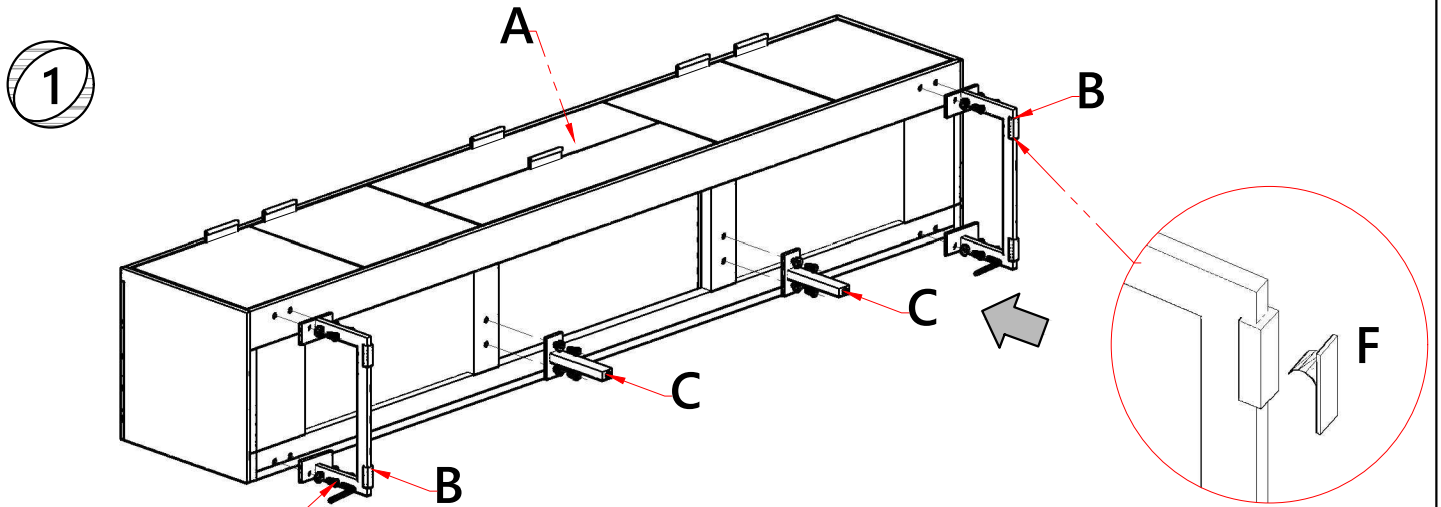
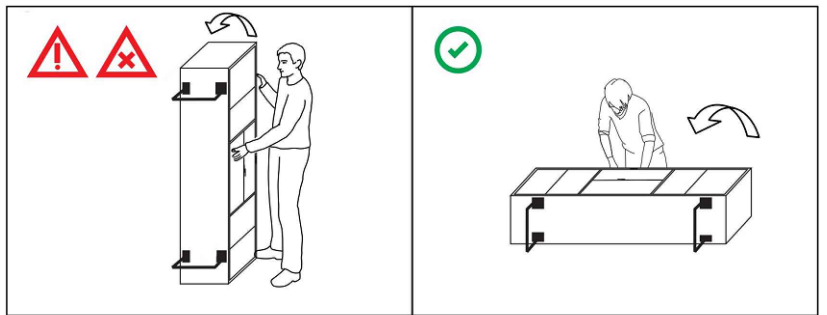


| (A) - BOX CABINET  | (B) - LEG   | (C) - CENTER LEG  |   |        |   |
|--|---|---|---|--------|---|
|  |  |  | D | 12 Pcs | <br>Bolt M8 - 20   |
|  |   |   | E | 12 Pcs | <br>Ring WP        |
|  |   |   | F | 1 Pcs  | <br>Leg Glider Pad |
|  |   |   |   | 1 Pcs  | <br>Alley Key      |
| 1 PCS  | 1 SET   | 2 PCS   |   |        |   |



**2**



**3**

