

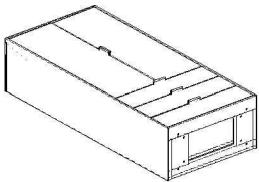
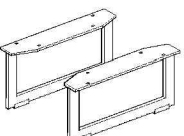






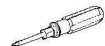

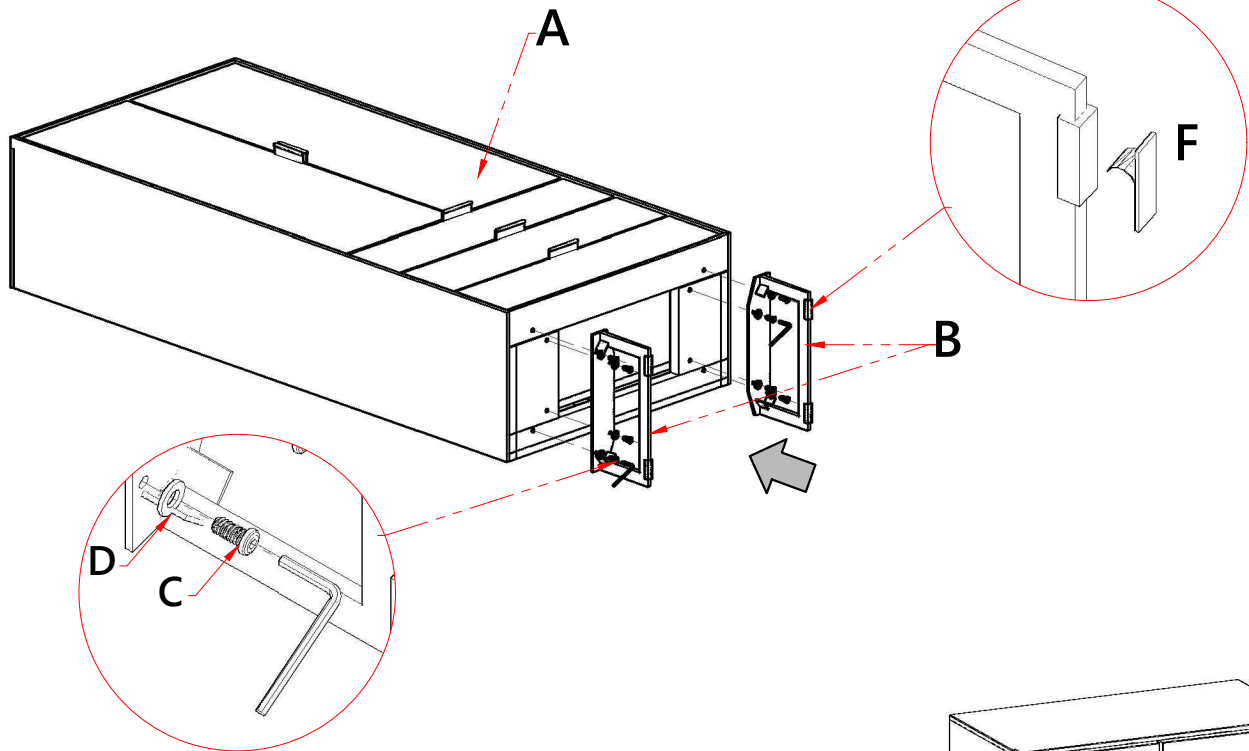
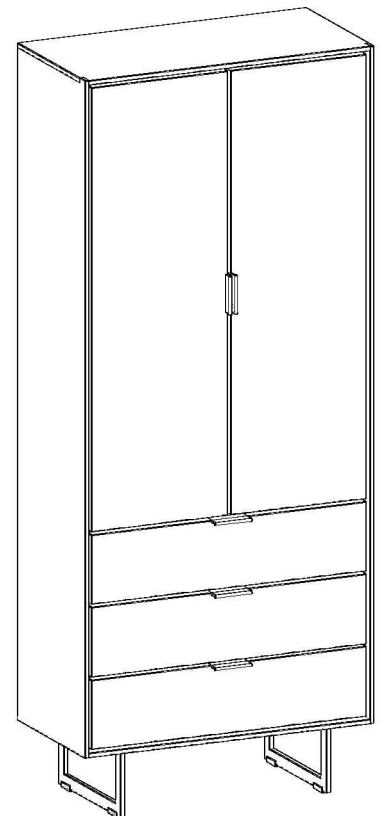
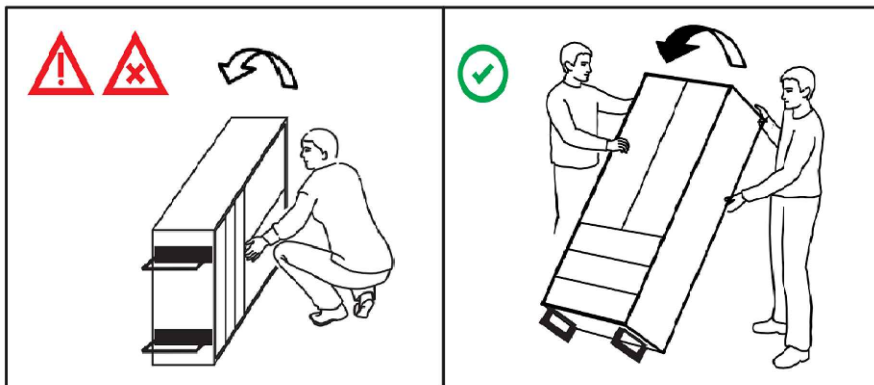


(A) - BOX CABINET	(B) - LEG	D	8 Pcs	 Bolt M8 - 20	G	2 Pcs	 Anti-Tip Kit Nylon Strap
		E	8 Pcs	 Ring WP	H	4 Pcs	 Anti-Tip Kit Mounting Bracket
		F	4 Pcs	 Leg Glider Pad	I	4 Pcs	 Anti-Tip Kit Fisher S6
			1 Pcs	 Allen Key	J	4 Pcs	 Anti-Tip Kit Screw FAB 6x3/4"
			1 Pcs	 Screw Driver	K	4 Pcs	 Anti-Tip Kit Screw PAB 8x1 1/2"
		1 PCS	1 SET				

1

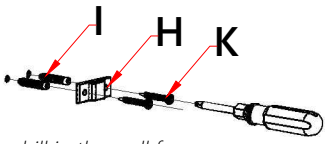


2

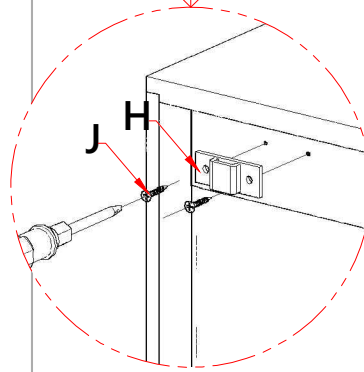


3

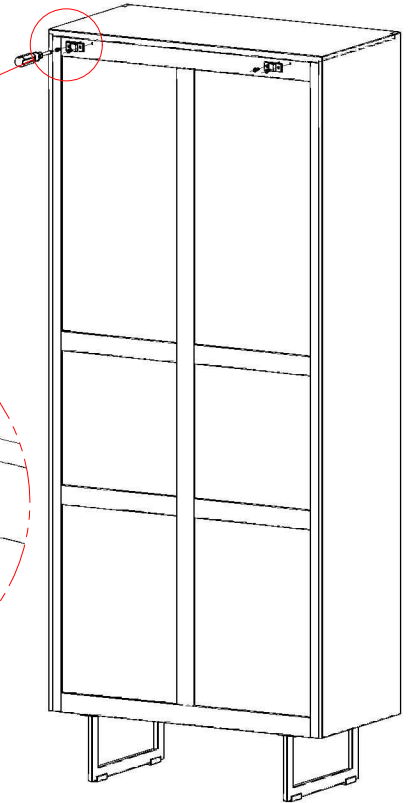
INSTALL ANTI-TIP KIT  
BEHIND THE CABINET TO THE WALL,  
PREVENT ITEM FROM FALLING DOWN



drill in the wall for  
instal fisher



install mounting bracket (H)  
on the back of cabinet



4

