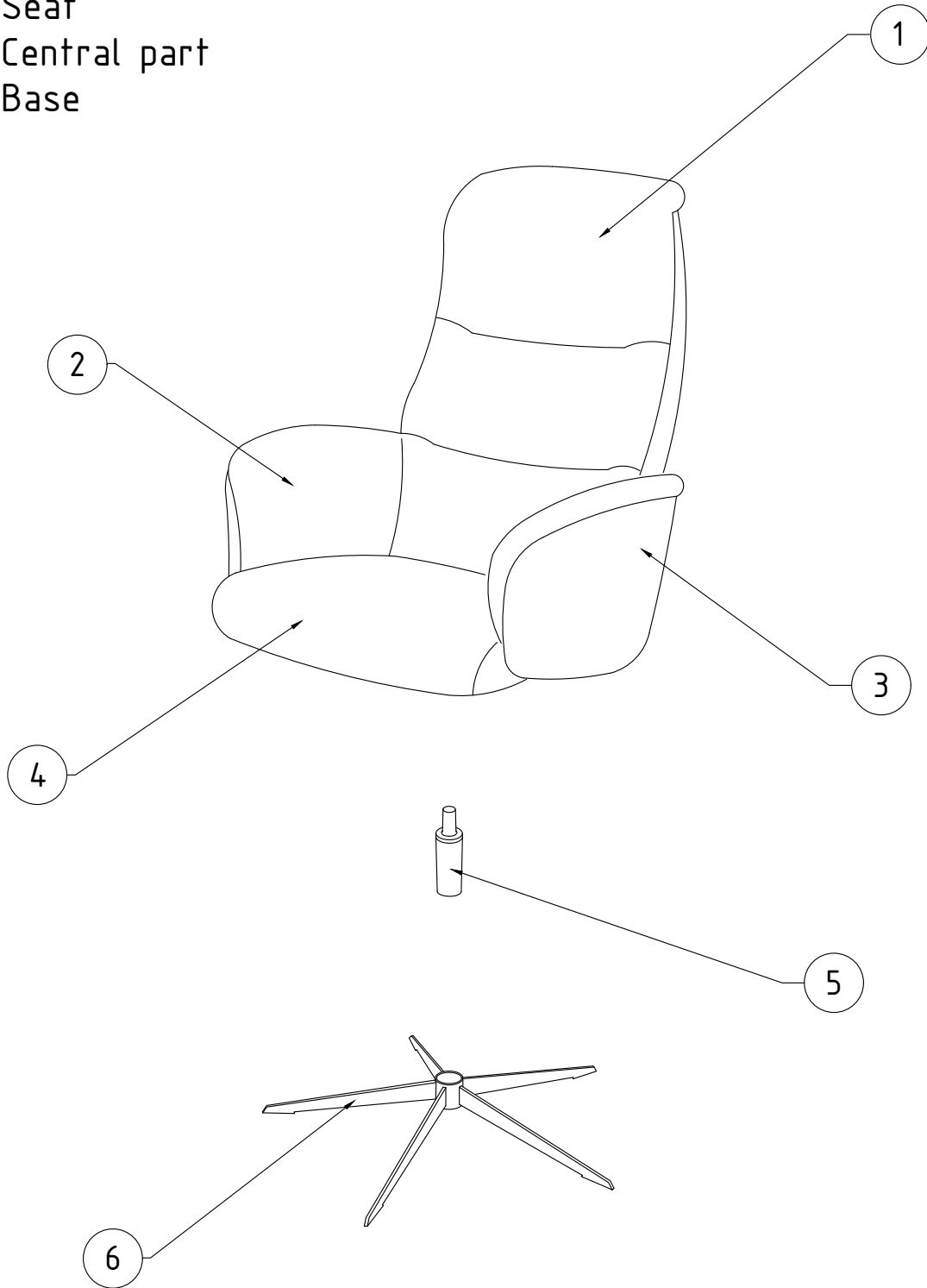


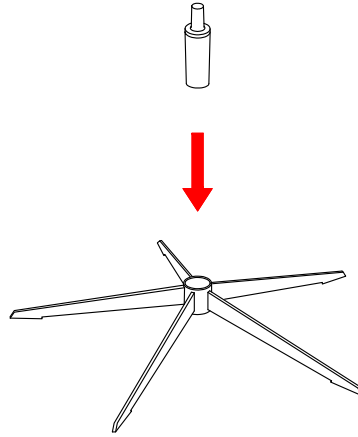
two people

## Components of the chair:

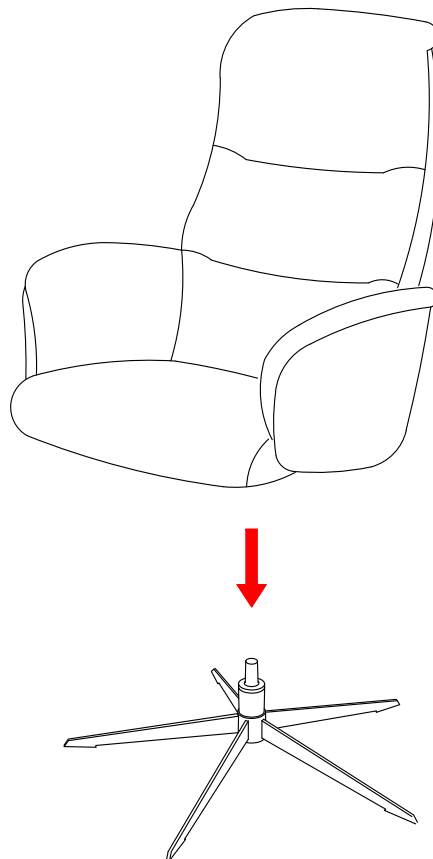
1. Backrest
2. Left armrest
3. Right armrest
4. Seat
5. Central part
6. Base



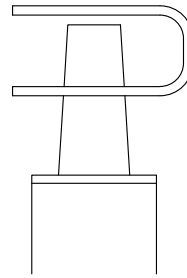
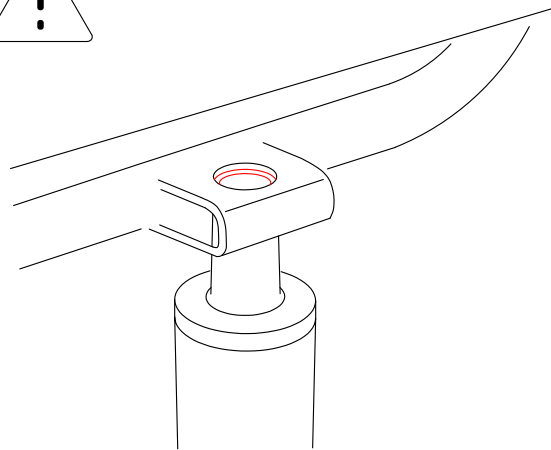
1. Put on the central part to the base.



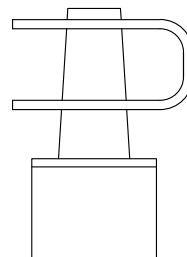
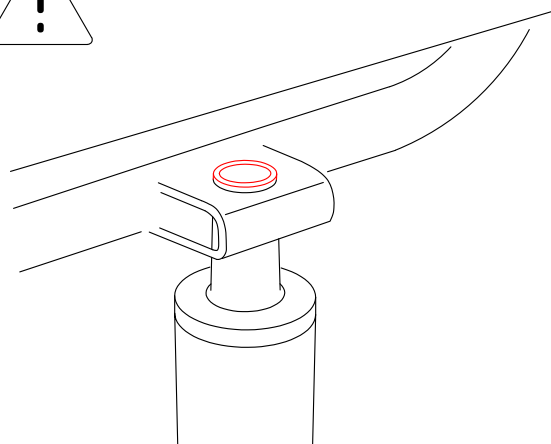
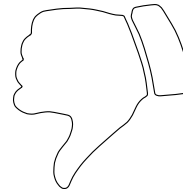
2. Put on the chair on the central part.



3. Take care that the chair is stable connections with central part.



Wrong



Right



4. Sit down for stable connections.



5. Function test.

