
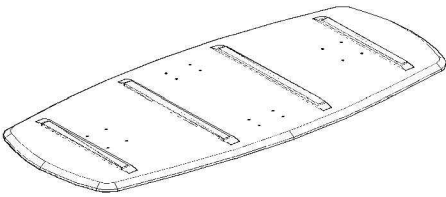
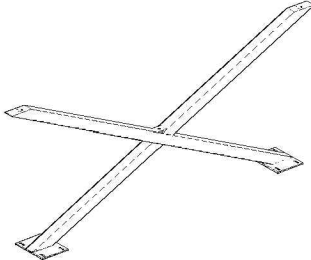
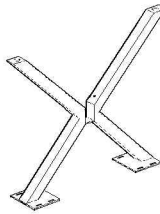


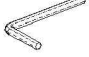


(A) - TOP TABLE	(B) - LEG	(C) - LEG	D	1 Pcs	 Leg Joint Plat
			E	19 Pcs	 Bolt M8 - 20
			F	19 Pcs	 Ring WP
				1 Pcs	 Alley Key
1 PCS	1 PCS	1 PCS			

