


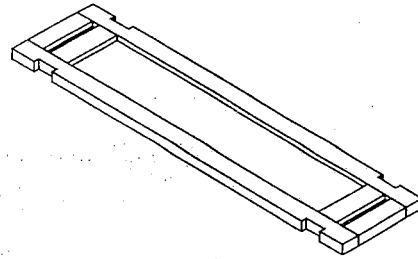
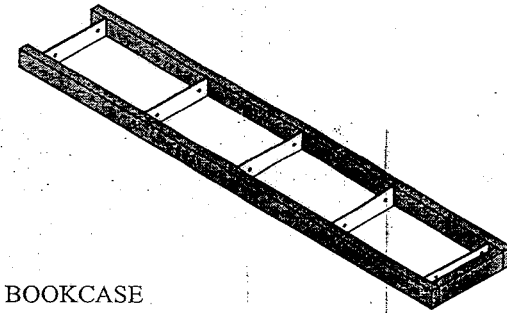


ASSEMBLY INSTRUCTION  
BOOKCASE

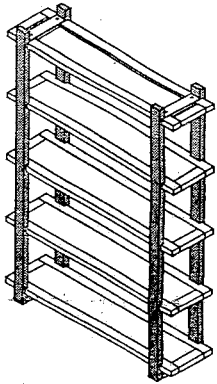
No	Name of Hardware	Q.ty
①	Washers Ø6/ Ø19 x 1.5 	40
②	Bolts M6 x 20 	40
③	Allen Key 4 	1



A x 5 -SHELF OF BOOKCASE



B x 2- LEG OF BOOKCASE  
RIGHT and LEFT



STEP 1

STEP 2

