
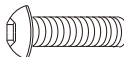


ASSEMBLY INSTRUCTION

Ax1

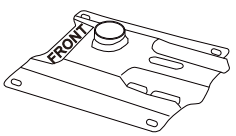


Ex2

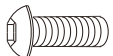


M6x30mm

Bx1




Fx2




M6x20mm

Cx1

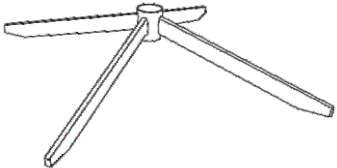


Gx2

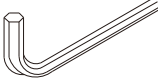


25x10x10mm

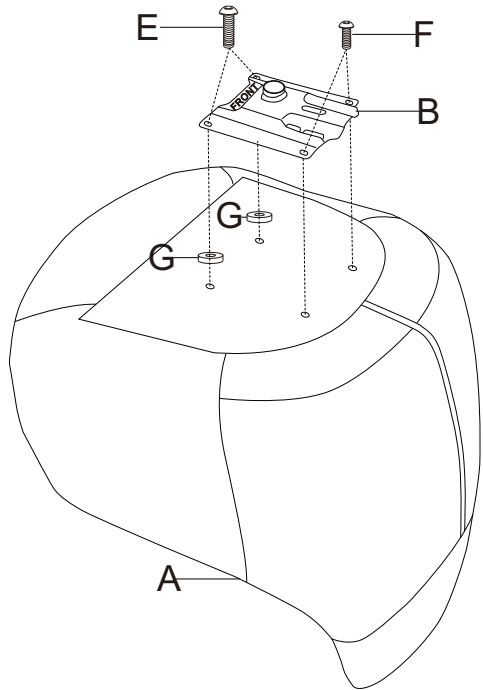
Dx1



Hx1

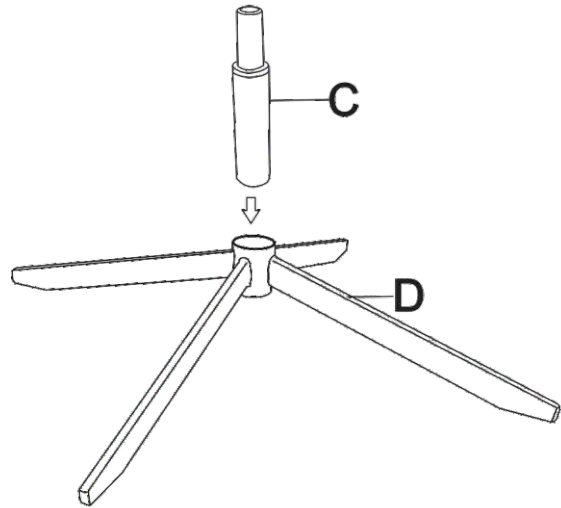


①



E F B G G A

②



C D

③



A

④

