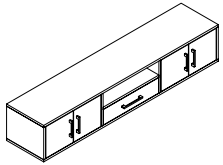
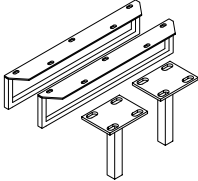
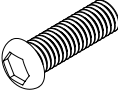
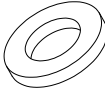

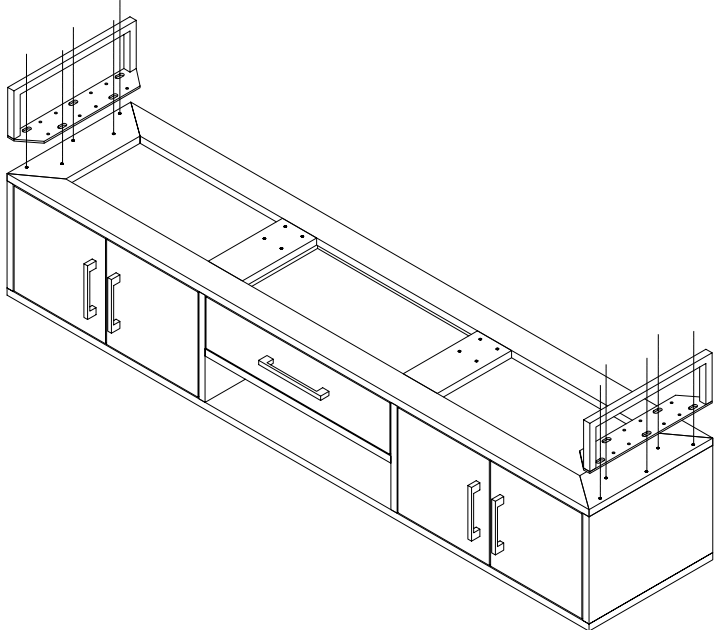


ITEM IMAGE					
QTY	CABINET - 1 PC	IRON LEGS - 2 PC	ALLEN BOLTS - 18 PC (20x6 mm)	WASHER - 18 PC (21x9 mm)	ALLEN KEY - 1 PC (5 mm)

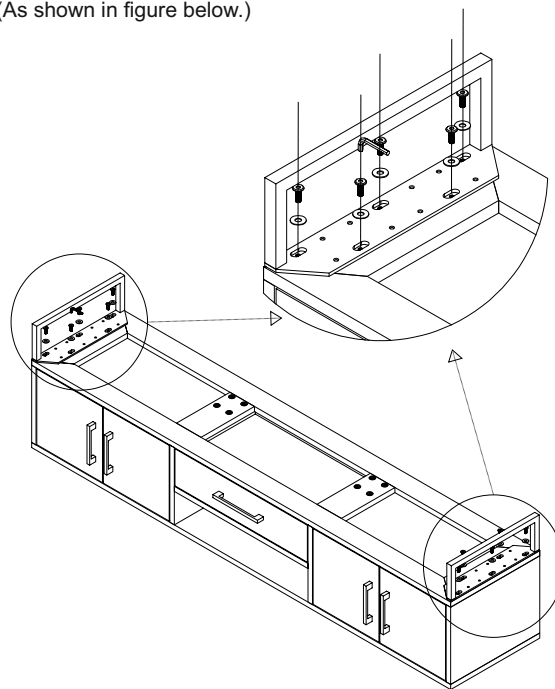
### STEP - 1

Put the cabinet on the floor upside down. place the legs as shown in figure below.



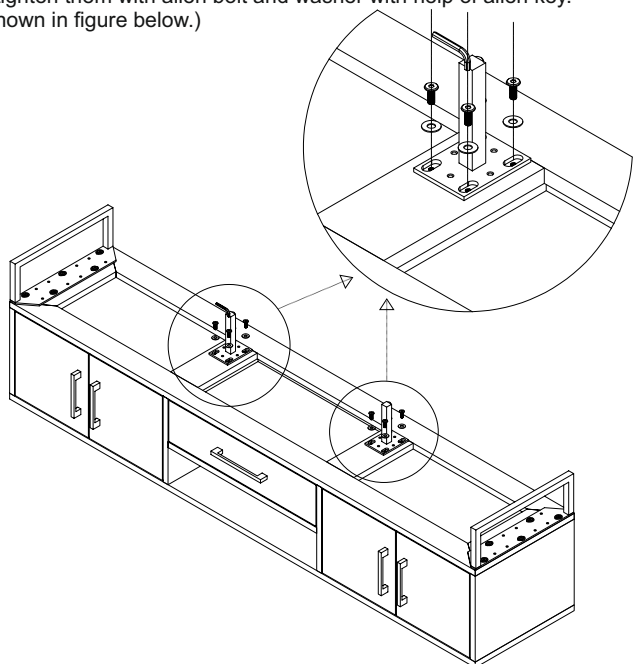
### STEP - 2

Tighten the legs with washer and bolt with help of allen key provided. (As shown in figure below.)



### STEP - 3

Place the middle legs on the cabinet and align them with holes. Now tighten them with allen bolt and washer with help of allen key. (As shown in figure below.)



### FINAL STEP

Adjust the wobbling of table with the help of attached leveller under the legs by twisting as show in figure.

