

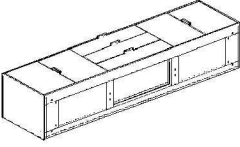
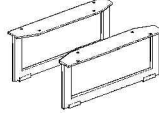







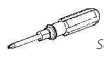

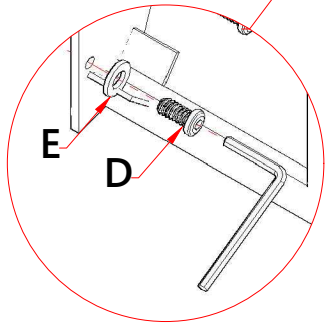
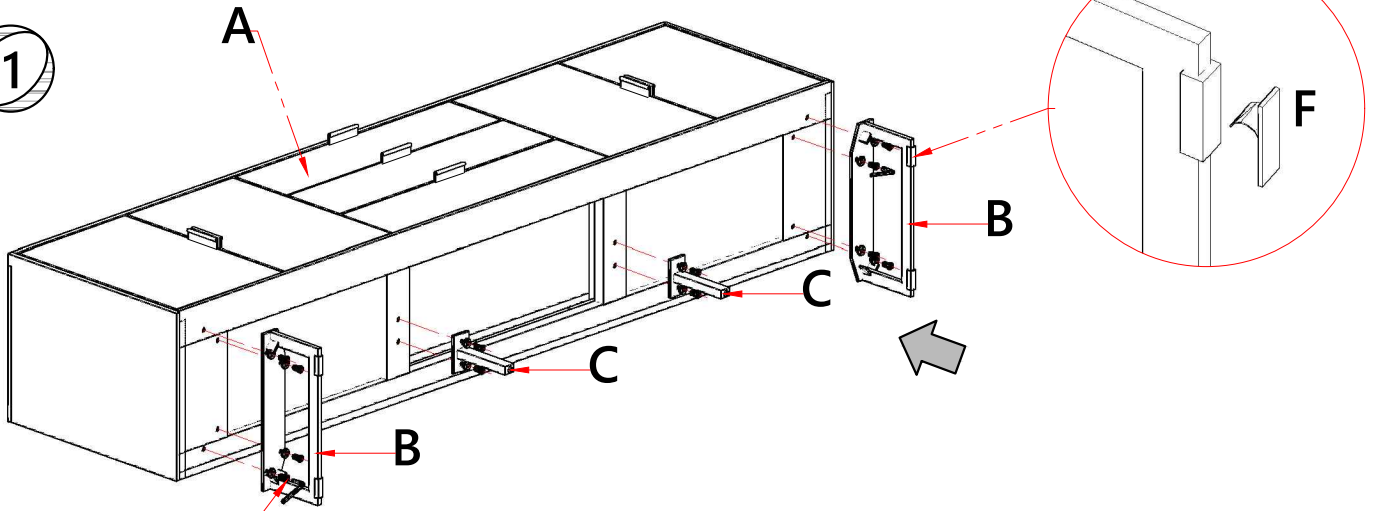
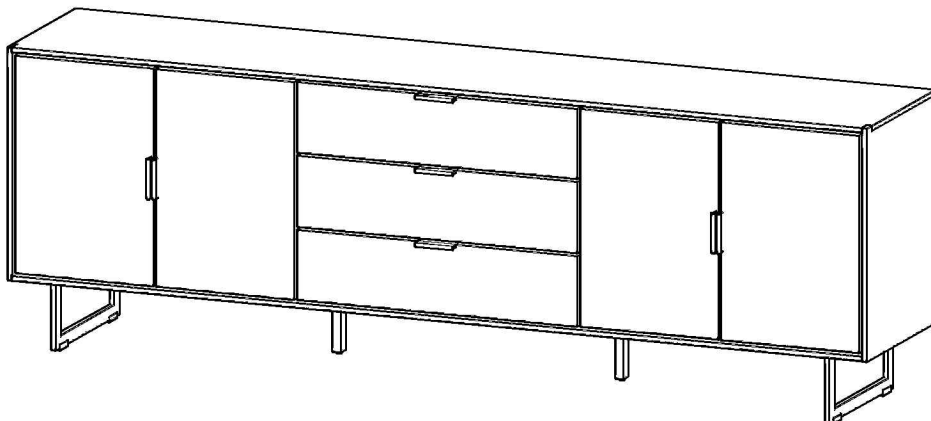
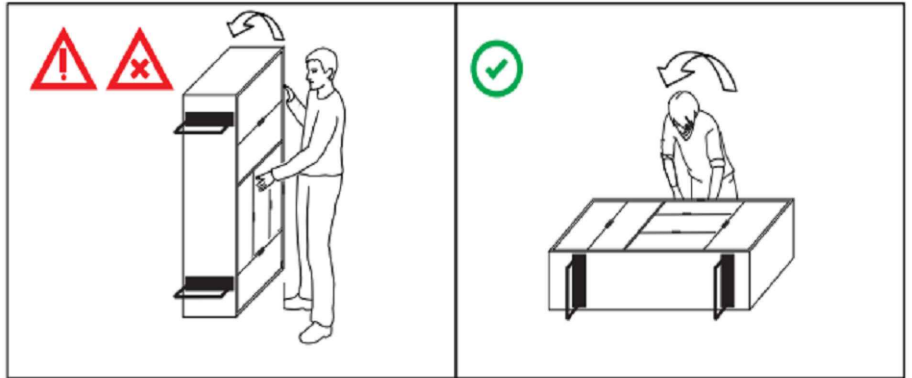


(A) - BOX CABINET	(B) - LEG	(C) - ADJUSTABLE LEG	D	12 Pcs	 Bolt M8 - 20	G	2 Pcs	 Anti-Tip Kit Nylon Strap
			E	12 Pcs	 Ring WP	H	4 Pcs	 Anti-Tip Kit Mounting Bracket
			F	1 Pcs	 Leg Glider Pad	I	4 Pcs	 Anti-Tip Kit Fisher S6
				1 Pcs	 Alley Key	J	4 Pcs	 Anti-Tip Kit Screw FAB 6x3/4"
				1 Pcs	 Screw Driver	K	4 Pcs	 Anti-Tip Kit Screw PAB 8x1 1/2"
1 PCS	1 SET	2 PCS						

1

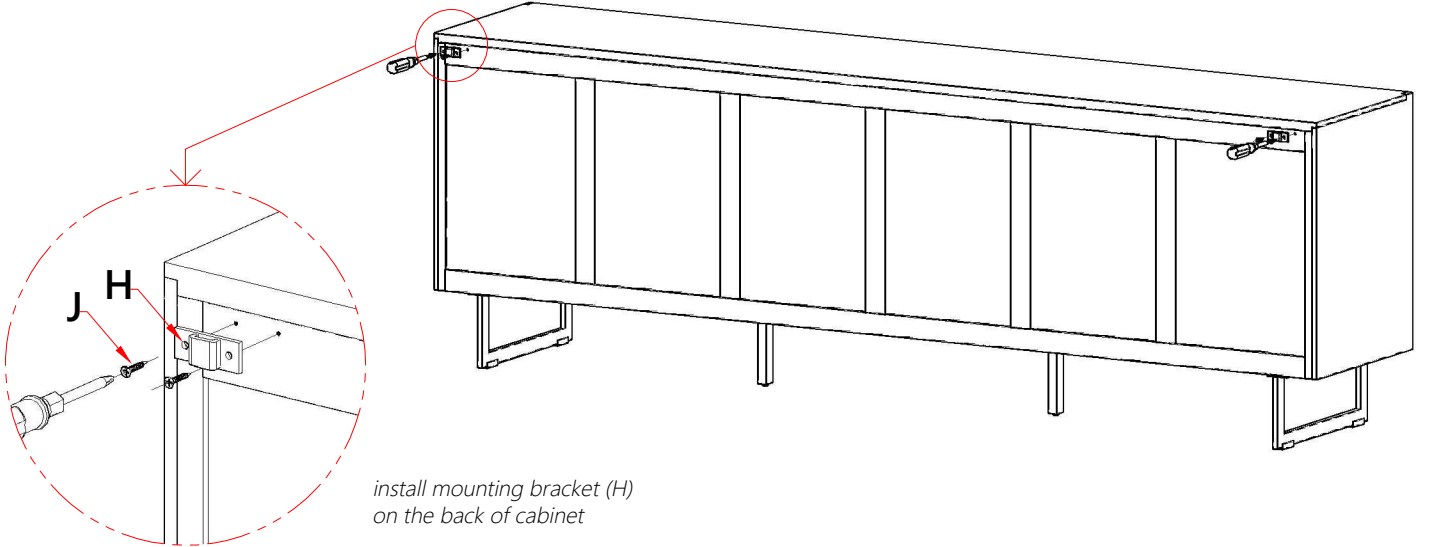
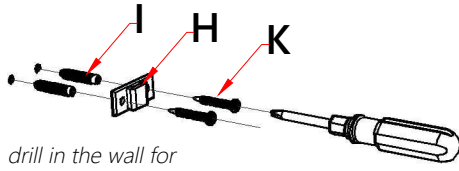


2



3

INSTALL ANTI-TIP KIT
BEHIND THE CABINET TO THE WALL,
PREVENT ITEM FROM FALLING DOWN



4

