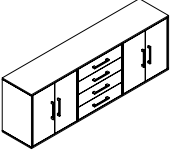
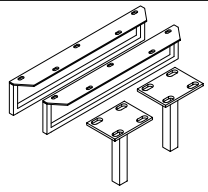
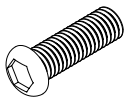
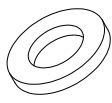

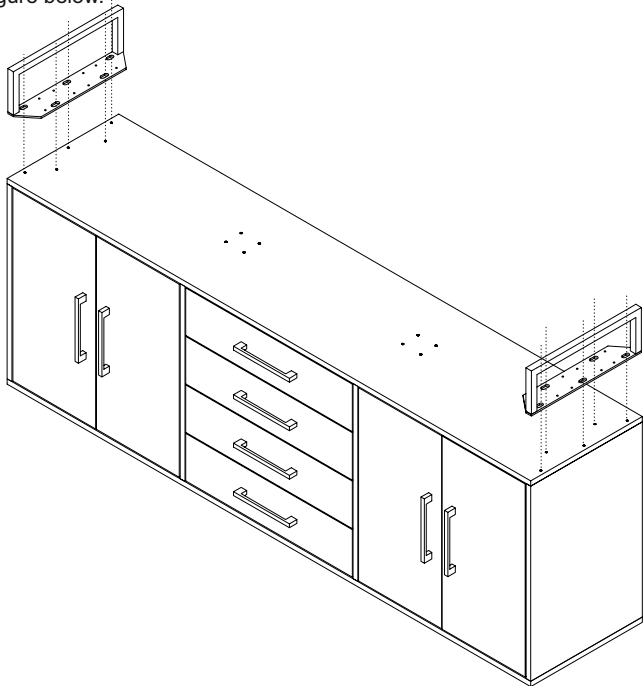


ITEM IMAGE					
QTY	CABINET - 1 PC	IRON LEGS - 2 PC	ALLEN BOLTS - 18 PC (20x6 mm)	WASHER - 18 PC (21x9 mm)	ALLEN KEY - 1 PC (5 mm)

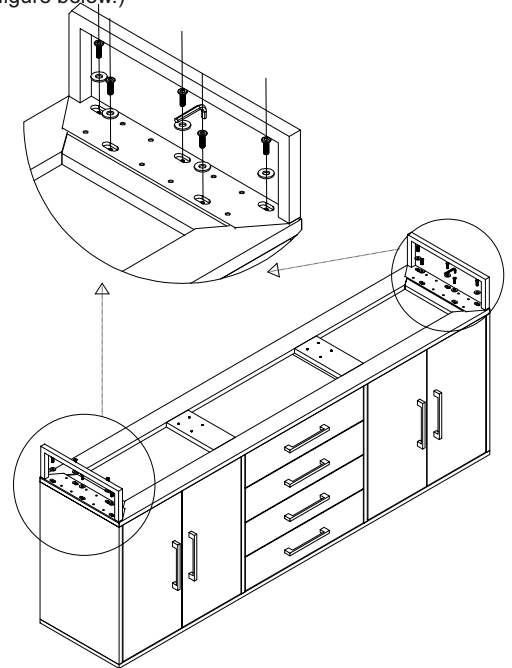
STEP - 1

Put the wooden top on the floor upside down. place the legs as shown in figure below.



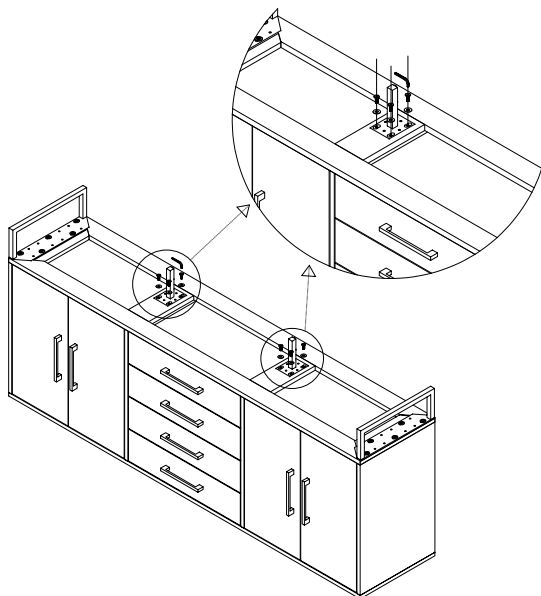
STEP - 2

Tighten the legs with washer and bolt with help of allen key provided. (As shown in figure below.)



STEP - 3

Place the middle legs on the cabinet and align them with holes. Now tighten them with allen bolt and washer with help of allen key. (As shown in figure below.)



FINAL STEP

Adjust the wobbling of table with the help of attached leveller under the legs by twisting as show in figure.

