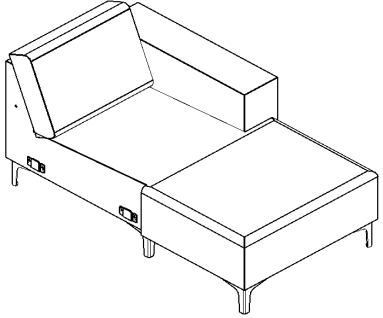
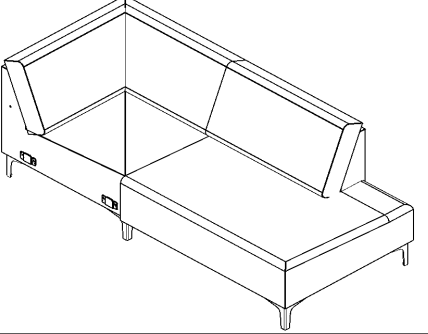
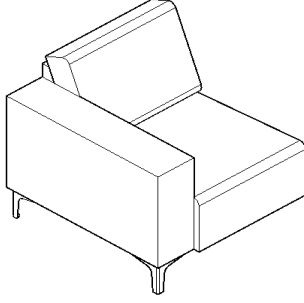
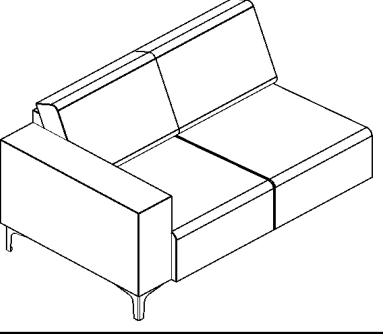
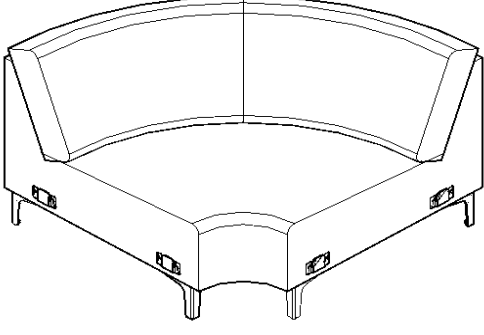
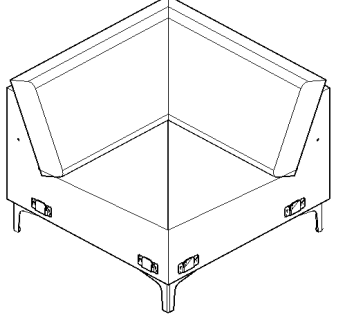
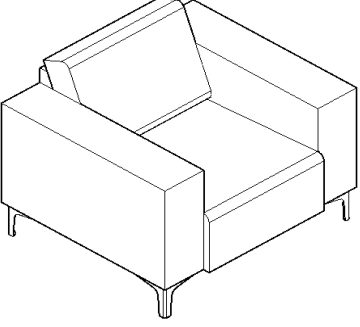
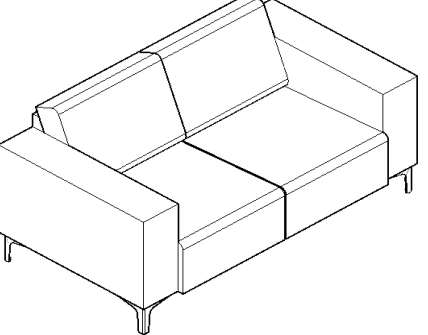


General / leg assembly instruction		Chaiselong	Open Corner
1v with 1 arm rest	2v, 2.5v, 3v with 1 arm rest		
		Cozy Corner	90 corner
1v with 2 arm rests	2v, 2.5v, 3v with 2 arm rests		
		Open End	Pouf
Legs and screws 